

**Specifications**

**Wafer**

備注 (Remark)

1. 材料 (Material)

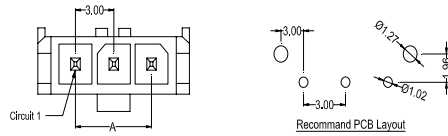
膠芯: PBT/PA46/PA66 UL94V-0

Housing: PBT/PA46/PA66 UL94V-0

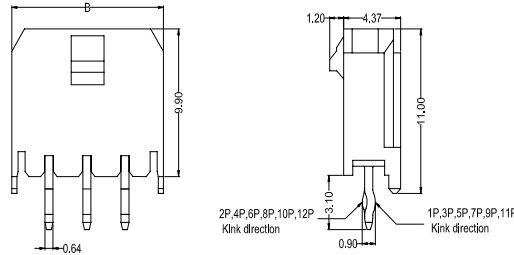
端子: 黃銅

Contact: Brass

3025WV-XX-XXSN



3025WV-XX-XXSN



Poles	Dimensions (mm)	
	A	B
2	3.00	9.65
3	6.00	12.65
4	9.00	15.65
5	12.00	18.65
6	15.00	21.65
7	18.00	24.65
8	21.00	27.65
9	24.00	30.65
10	27.00	33.65
11	30.00	36.65
12	33.00	39.65

3025WV-XX-N0SN	PA66 UL 94V-0	Brass	Tin-Plated	3025H	1,000Pcs
3025WV-XX-46SN	PA46 UL 94V-0				
3025WV-XX-PTS	PBT UL 94V-0				
PART NO	Material	Material (Pin)	Finish (Pin)	Mates With SWB Housing	Qty/Bag

**Housing**

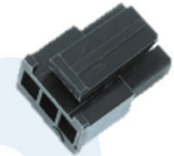
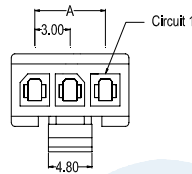
備注 (Remark)

1. 材料 (Material)

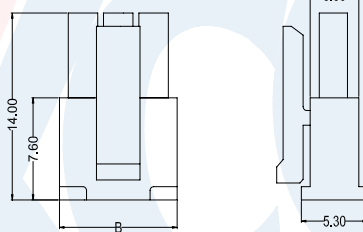
膠芯: PA66 UL94V-2

Housing: PA66 UL94V-2

3025HM-XX-N2



3025HM-XX-N2



Poles	Dimensions	
	A	B
3	6.00	9.85
4	9.00	12.85
5	12.00	15.85
6	15.00	18.85
7	18.00	21.85
8	21.00	24.85
9	24.00	27.85
10	27.00	30.85
11	30.00	33.85
12	33.00	36.85

3025HM-XX-N2	Nylon 66 UL 94V-2	3025TF	3025W	1,000Pcs
PART NO	Material	Suitable SWB Terminal	Mates With SWB Wafer	Qty/Bag

**Terminal**

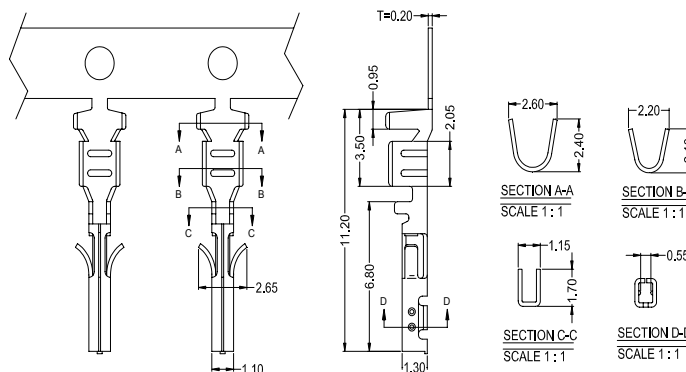
備注 (Remark)

1. 材料 (Material)

端子: 磷青銅

Contact: Phosphor bronze

3025TF-PXX



3025TF-PXX

3025TF-PG30	Phosphor Bronze	AWG#20-24	1.85mm(Max)	Stamping Before Pating:30-50u" Ni;Contact Area Gold:30u" Min.	3025HM	10,000Pcs
3025TF-PG15				Stamping Before Pating:30-50u" Ni;Contact Area Gold:15u" Min.		
3025TF-PG01				Stamping Before Pating:30-50u" Ni;Contact Area Gold Flash		
3025TF-PSN				Stamping Before Pating:30-50u" Ni;70-120u" Sn		
PART NO	Material	Wire Range	Insulation O.D.	Finish	Used In SWB Housing	Q' ty/Reel