

Specifications

备注 (Remark)

1. 材料 (MATERIAL)

胶芯: PA6T+30%G.F UL94V-0, 颜色: 黑色.

Housing: PA6T+30%G.F UL94V-0, Color: Black

四方针: 黄铜, 镍底30u"MIN, 表面镀金0.8u"MIN

Contact: Brass, 0.8u"MIN GOLD PLATING OVER ALL
30u" MIN NICKEL UNDERPLATING OVER ALL

2. 特性 (characteristics):

额定电流: 1 AMP

Rating Current: 1 AMP.

接触阻抗: 20 mΩ MAX.

Contact Resistance: 20 mΩ MAX.

绝缘阻抗: 1000 MΩ MIN.

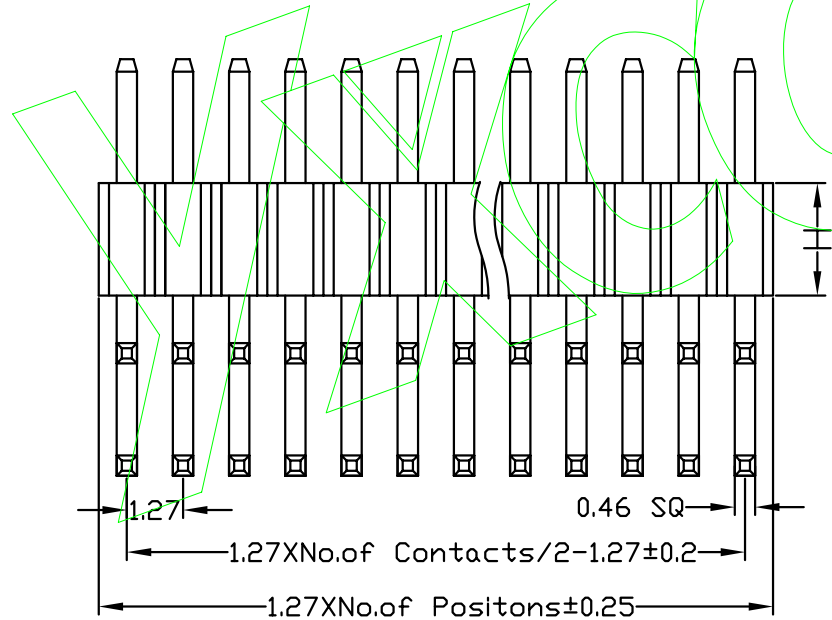
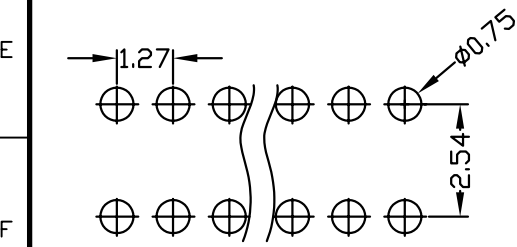
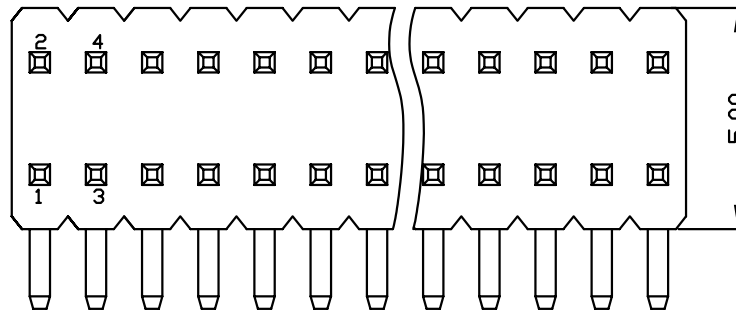
Insulating Resistance: 1000 MΩ MIN.

耐电压: AC 500V.

Withstanding Voltage: AC 500V.

温度范围: -40°C to +105°C

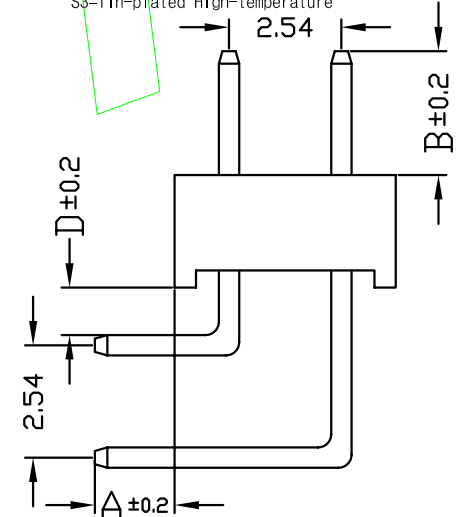
Temperature Range: -40°C to +105°C



Ordering Information

P4XX-12 XX XX X R XXX X 1

HEIGHT OF HOUSING	NO.OF PINS PER ROW	Contact Plating	INSULATOR MATERIAL:	LENGTH OF TERMINAL	PACKING
17: 1.7mm	2-50P	Full Of Gold	B: PA6T		A: PE Bag
25: 2.54mm		Semi-gold	C: PA9T		B: Tape & Reel
		A0=0.8u"	D: LCP		C: Tube
		A1=1u"			D: Tube+CAP
		A2=1.5u"			E: Tray
		A3=2u"			
		A4=3u"			
		A5=5u"			
		A6=10u"			
		A7=15u"			
		A8=20u"			
		A9=30u"			
		S1=Ordinary Tin Plated			
		S2=Matte Tin Plated			
		S3=Tin-plated High-temperature			



ITEM	A	B	D	H
Standard	1.8	2.8	6.0	1.7
Alternate				

				OPERATION		SCALE		Fit		东莞市宇熙精密连接器有限公司 Dongguan Yuxi Electronic Co., Ltd.	
				X.X	±0.25	UNIT		MM			
				X.XX	±0.20	SIZE	A4	DESIGN	卢小强	PART NO.	P4XX-12XXXXRXXX1
				X.XXX	±0.10	SHEET	1/1	CHECK		TITLE:	1.27mm*2.54 双排针 90度
				Angle	±3°	PROJ.	☉	APPROVE		Customer No.	
REV	DATE	MODIFICATION DESCRIPTION	CHANGE	APPROVE	DIM	TOL					